

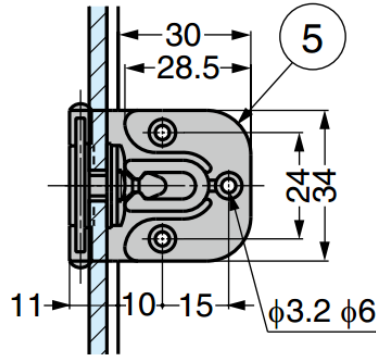
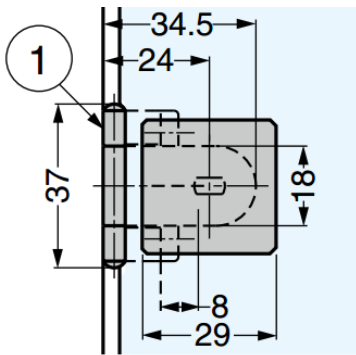
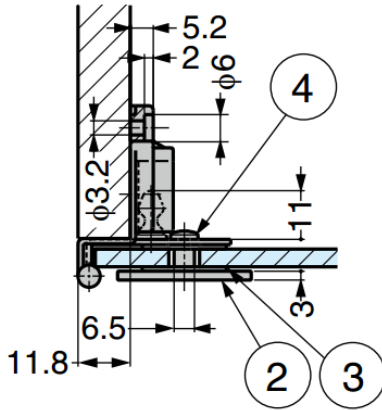
## GGHC34-8CR-K Overlay Glass Door Hinge With Catch

### Features

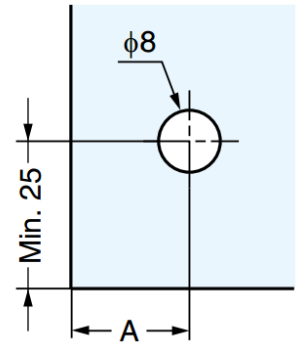
- Hinge for glass/acrylic doors
- Round plate type **GGHC34-8CR** also available

### Notes

- Recommended for use in pairs
- Use screw loosening prevention agent when mounting screws
- Recommended door dimensions in the below table are based on usage of two hinges for one door



### Cut Out Dimensions



Boring position changes with the glass thickness.

Glass Thickness	A	Overlay
4	19	7
5	18	6
6	17	5

No.	Part Name	Material	Finish / Colour
①	Body	Steel	Chrome
②	Plate	Zinc Alloy (ZDC)	
③	Washer	PVC	Clear
④	Screw	Steel	Nickel
⑤	Catch	POM	Black

Part No.	Door Width	Door Height	Glass Thickness	Load Capacity (per pair)
<b>GGHC34-8CR-K</b>	Max. 450	Max. 700	4, 5, 6	39 N 4 kg